

There's no end to what we can make.

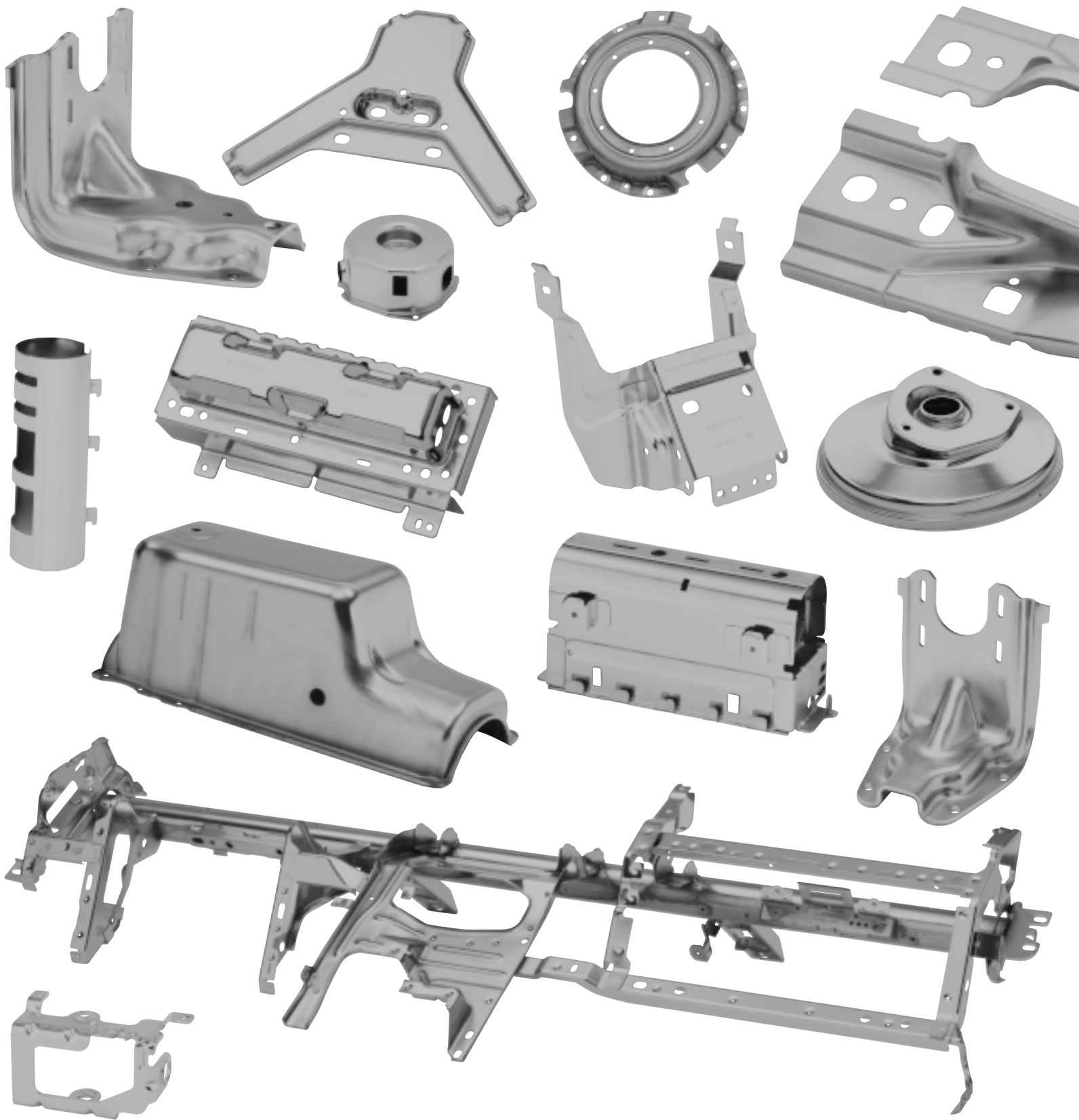
We make history.



FORTY YEARS AGO, OUR BUSINESS WAS A SIX-STALL GARAGE WITH THREE MACHINES AND SEVEN EMPLOYEES. TODAY, WE'VE GROWN INTO ONE OF THE MIDWEST'S LEADING TOOL AND DIE SHOPS, WITH A HIGHLY EXPERIENCED STAFF OF MORE THAN 120 PEOPLE AND A BUILDING WITH NEARLY 100,000 SQUARE FEET. THROUGH THE YEARS, WE'VE LED THE INDUSTRY BY BEING THE FIRST IN THE AREA TO USE THE LATEST TECHNOLOGY, ONE OF THE FIRST TO ESTABLISH A QUALITY CONTROL DEPARTMENT AND TO BE QS9000/TE CERTIFIED BY THE AUTOMOTIVE INDUSTRY. WHAT'S COMING TOMORROW? IT'S ANYONE'S GUESS, BUT AT WALKER TOOL & DIE, WE'RE ALWAYS PLANNING FOR THE FUTURE. WITH OUR SKILLS, EXPERIENCE, DEDICATION AND THE LATEST TECHNOLOGY, WE WANT TO HELP YOU WITH ALL YOUR TOOLING NEEDS.

WALKER
TOOL & DIE, INC.





We make progress.

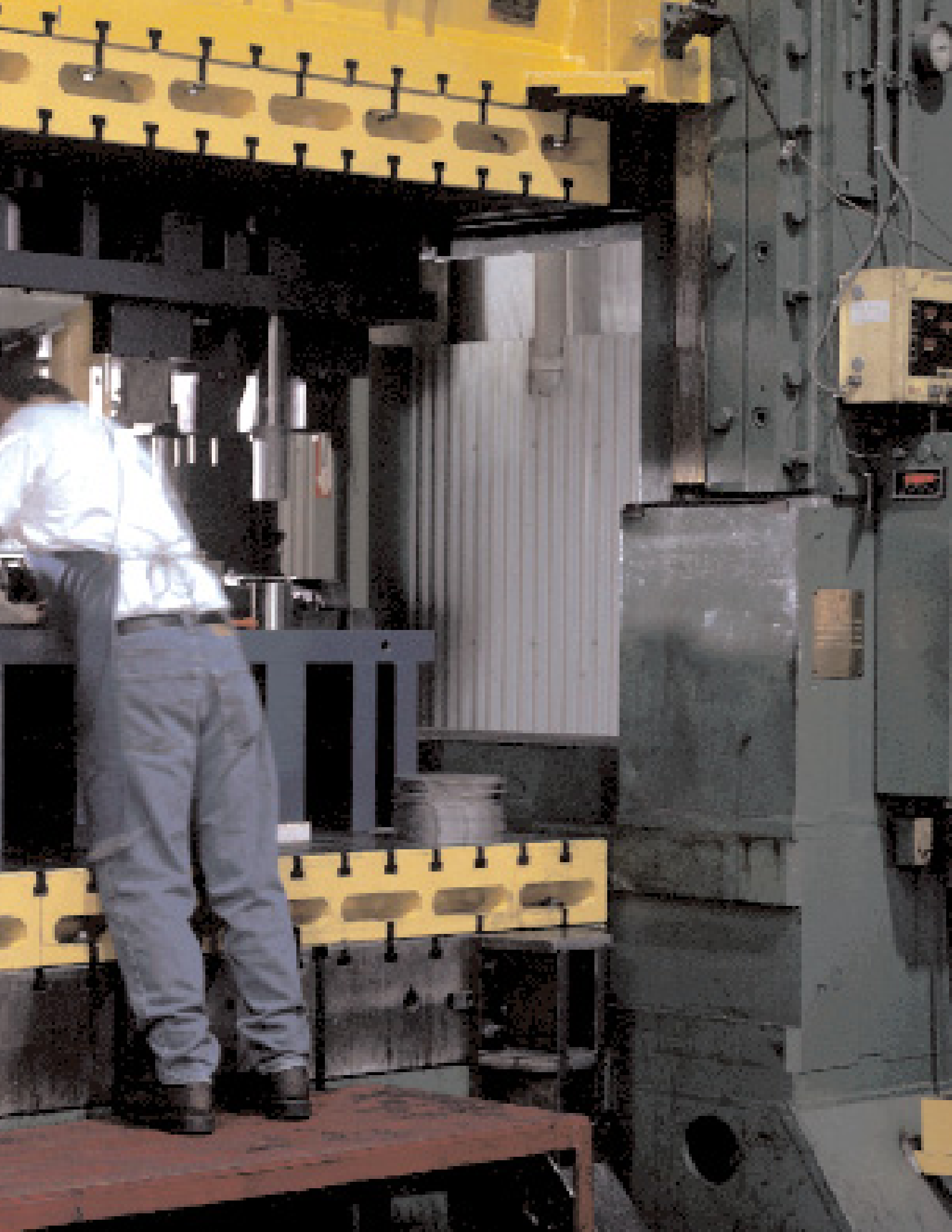


IF THERE'S A NEW OR BETTER WAY OF DOING THINGS, YOU CAN BET THAT WE'RE DOING IT AT WALKER. WE CAN HANDLE YOUR SPECIAL NEEDS, SUCH AS ENGINEERING SIMULATION, SIX-AXIS LASER CUTTING, AND WIRE EDM. WE INTEGRATE THE LATEST TECHNOLOGY IN CAD/CAM, CNC AND QUALITY CONTROL APPLICATIONS WITH PROVEN DIE-MAKING METHODS TO PROVIDE

YOU WITH COST EFFECTIVE, WELL BUILT AND RELIABLE TOOLS. FROM SMALL TO LARGE PROGRESSIVE, TRANSFER AND LINE DIES, WE HAVE THE RESOURCES TO MEET YOUR TOOLING NEEDS. MOST IMPORTANTLY, WE APPROACH EVERY PROJECT WITH CUSTOMER SATISFACTION IN MIND.



We make sure.







EVERY DIE WE DELIVER COMES WITH SOMETHING OUR CUSTOMERS DON'T INITIALLY SEE. IT'S CALLED RELIABILITY, AND IT'S BUILT INTO EVERYTHING WE DO. FROM ENGINEERING AND DESIGN ALL THE WAY THROUGH DIE BUILD, OUR STRICT QUALITY CONTROL GUIDELINES KEEP THE RELIABILITY OF OUR TOOLS HIGH. AS PART OF OUR SUPPORT PROCESS, WE OFFER PRODUCT PROTOTYPING AND COMPUTER PART SIMULATION IN HOUSE. WITH THE USE OF OUR TRYOUT PRESSES AND YOUR BUILD STANDARDS, WE CAN SIMULATE YOUR PRODUCTION PROCESS. IN DOING SO, WE CAN TEST OUR DIES AND FINE-TUNE THEM TO ELIMINATE POTENTIAL PROBLEMS BEFORE WE DELIVER THE DIE TO YOU. FURTHERMORE, WE'RE COMMITTED TO ON-TIME DELIVERY, AND OUR RECORD PROVES IT. FROM START TO FINISH, YOUR PROJECT IS IN CAPABLE HANDS.



WALKER
TOOL & DIE, INC.

2411 WALKER AVE, N.W. GRAND RAPIDS, MICHIGAN 49544-1301
TEL: 616.453.5471 FAX: 616.453.3765
TOLL FREE: 877.WALKER8 (925.5378)
WWW.WALKERTOOL.COM